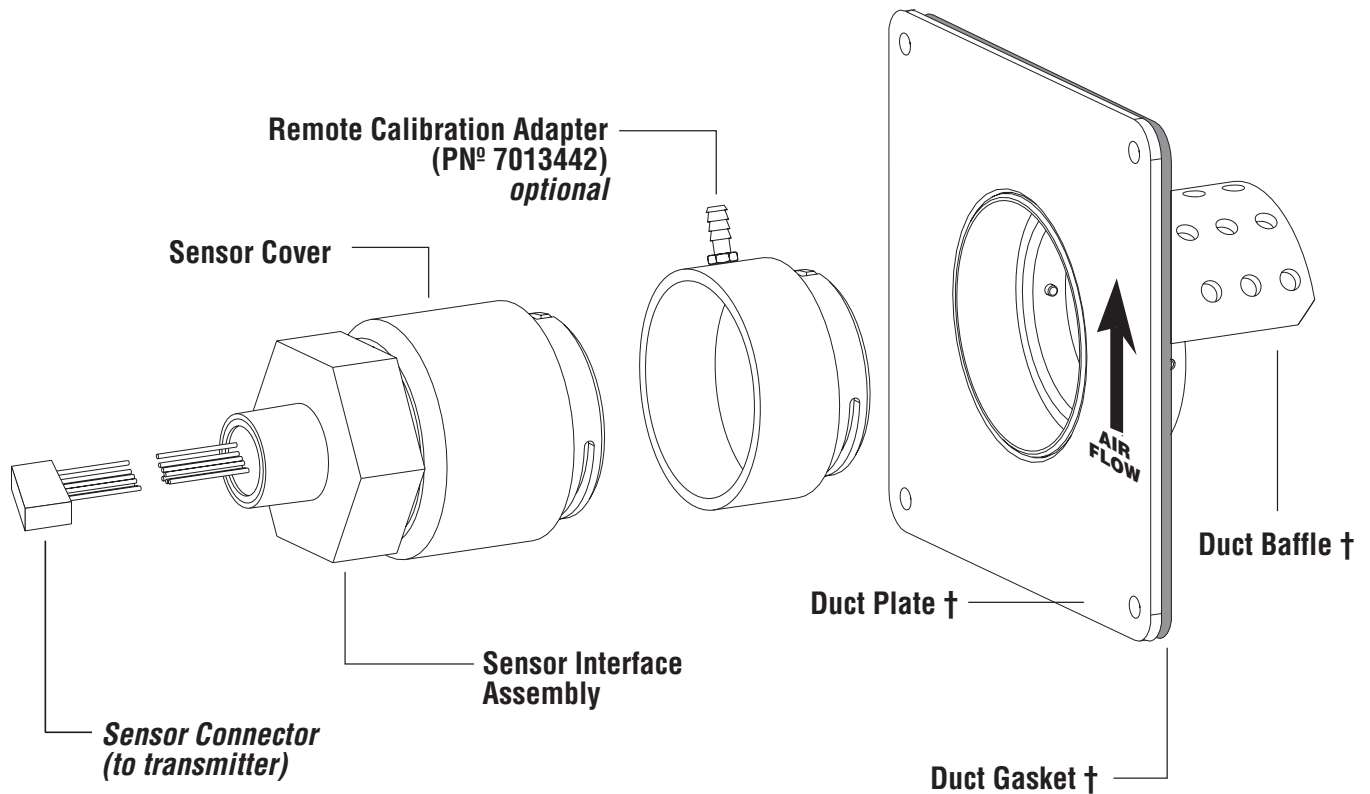


SENSALERT®

Duct Mount Assembly Installation Guide



† Part of Duct Mount Assembly (PN# 7013424)

NOTE

Duct Monitoring may be accomplished by installing a transmitter directly into the Duct Mount assembly or by using a Remote Sensor Extension Cable and Extension Cable Hardware Kit. Consult factory for available kits.

SENSIDYNE®

16333 Bay Vista Dr. • Clearwater, FL 33760 • (800) 451-9444 • (727) 530-3602 • (727) 539-0550 [FAX] • www.sensidyne.com



Revision C • Document No. 7013424M

Installing the Duct Mount Assembly

- 1) Using the duct gasket as a template, locate and mark the opening and the four (4) mounting holes on the duct where the sensor will be installed.
- 2) Cut a 3.5" diameter hole for the sensor. Drill four (4) 0.149" diameter holes for the mounting screws.
- 3) Place the gasket over the duct baffle on the duct plate. Align the holes in the plate with the holes in the duct. Fasten the duct plate the duct using four (4) #10 x 3/4" long self-tapping screws.

Transmitter Preparation**CAUTION**

Take proper ESD procedures during this procedure.

- 1) Remove power from the transmitter. NEMA 4X Transmitters: Loosen the 4 captive screws and remove the transmitter cover. HD & XP Transmitters: Loosen the hex head screw and unscrew the con-
dulet cover. Remove the round top plate. *Do not misplace the two small mounting screws.*
- 2) Disconnect the sensor interface from the electronics module in the transmitter. Remove the sensor interface from the transmitter.
- 3) Install the outlet fitting at the transmitter. HD & XP Transmitters: Use Teflon tape to seal the threads. NEMA 4X Transmitters: Attach the outlet fitting to the housing using the O-ring removed earlier. Tighten the nut over the O-ring inside the enclosure.
- 4) Mount the sensor assembly by inserting the 3 guide pins into the counter bore holes in the sensor interface assembly. Push the sensor assembly upward to engage the electrical connection. *Do not touch the sensor membrane.*
- 5) Attach the sensor cover/retainer.
- 6) HD & XP Transmitters: Replace and secure the round top plate inside the transmitter con-
dulet.
- 7) Replace the transmitter cover. HD & XP Transmitters: Tighten the hex head screw to secure the con-
dulet cover. NEMA 4X Transmitters: Tighten the 4 cover screws to 10 (± 2) inch lbs to maintain a proper body-to-cover seal.
- 8) Apply power to the transmitter. Allow it to stabilize for *at least* 1 hour before calibrating the unit.