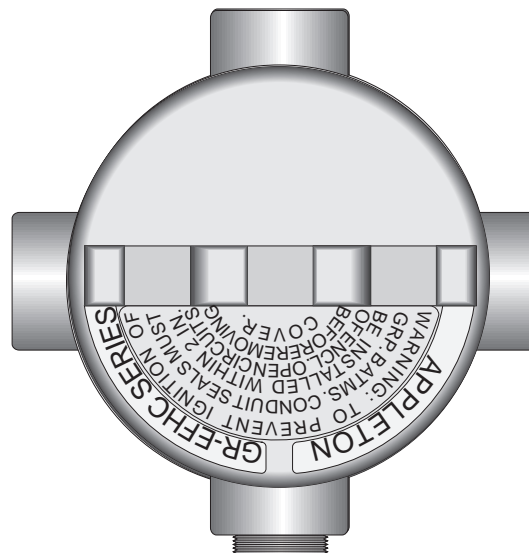


SENSALERT[®]

POWER MODULE

Document No. 360-0082-01

(Revision C)



SENSIDYNE[®]

Sensidyne, LP • 16333 Bay Vista Drive
Clearwater, Florida 33760 USA

(800) 451-9444 • (727) 530-3602 • Fax: (727) 539-0550
web: www.sensidyne.com • e-mail: info@sensidyne.com

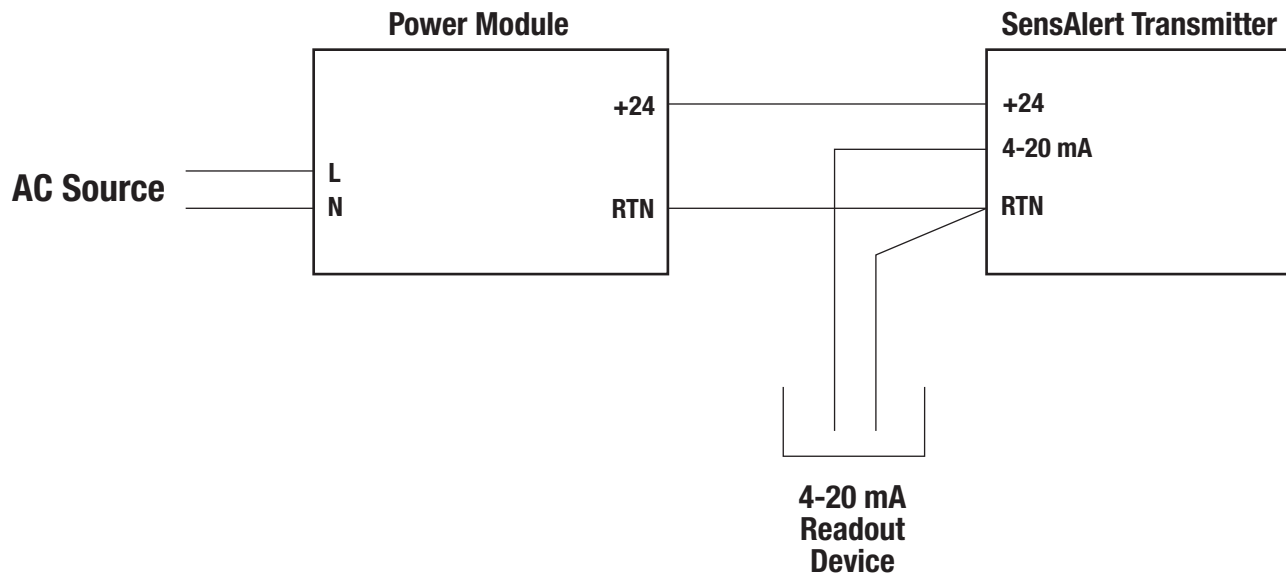
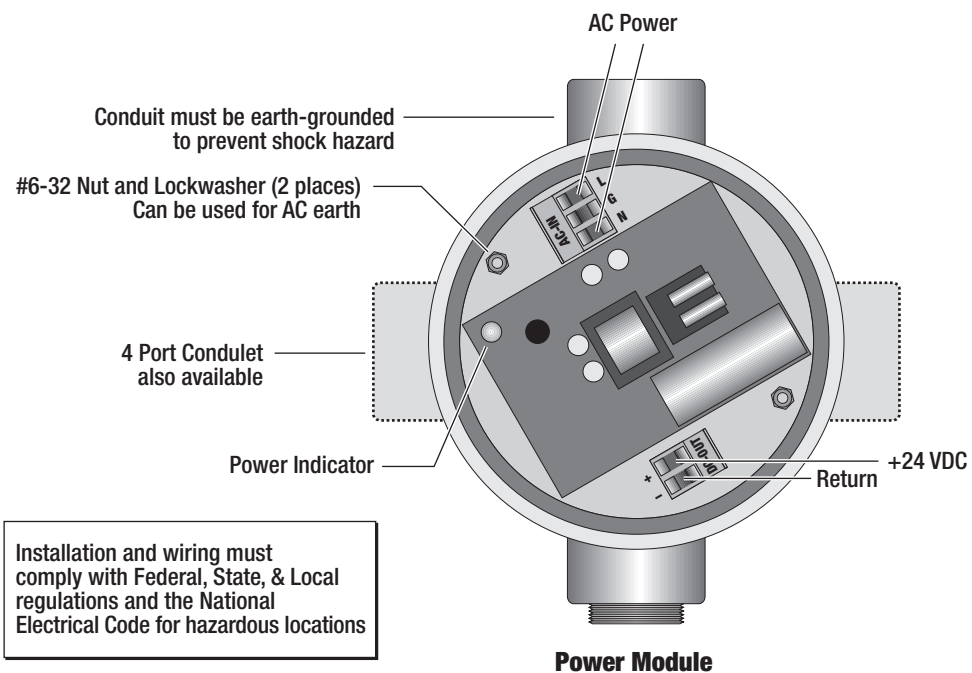


Figure 1
Power Module Components & Wiring Diagram

POWER MODULE SPECIFICATIONS

General Specifications

Conduit	3/4" NPT
Dimensions	3.88" (W) x 5.63" (H) x 3.00" (D) 98.6 mm (W) x 143.0 mm (H) x 76.2 mm (D)
Weight	2.44 lbs (1.11 kg)

Electrical Specifications

Input	85-265 VAC, 50-60 Hz
Output (5W Supply)	24 V \pm 0.1 VDC 230 mA, 5W
Output (10W Supply)	24 V \pm 0.1 VDC 420 mA, 10 W
Wire Size	Plugs accept 14-24 AWG

Classification

Explosion-Proof Rating : Condulet classified by Underwriters Laboratories, Inc.[®] for use in areas rated Class I, Division 1, Groups B, C, D,

Spare Parts

5 Watt Power Supply Module	7013949-1
10 Watt Power Supply Module	7013949-2
5 Watt Power Supply Module (4 Port Condulet)	7013949-3
10 Watt Power Supply Module (4 Port Condulet) ..	7013949-4
5 Watt Power Supply Board	7013948-1
10 Watt Power Supply Board	7013948-2
2 Position Terminal Plug (Output)	7017197-2
3 Position Terminal Plug (Input)	7017197-3

NOTES

SENSIDYNE[®]

Sensidyne, LP • 16333 Bay Vista Drive

Clearwater, Florida 33760 USA

(800) 451-9444 • (727) 530-3602 • Fax: (727) 539-0550

web: www.sensidyne.com • e-mail: info@sensidyne.com



ISO 9001:2000 Registered