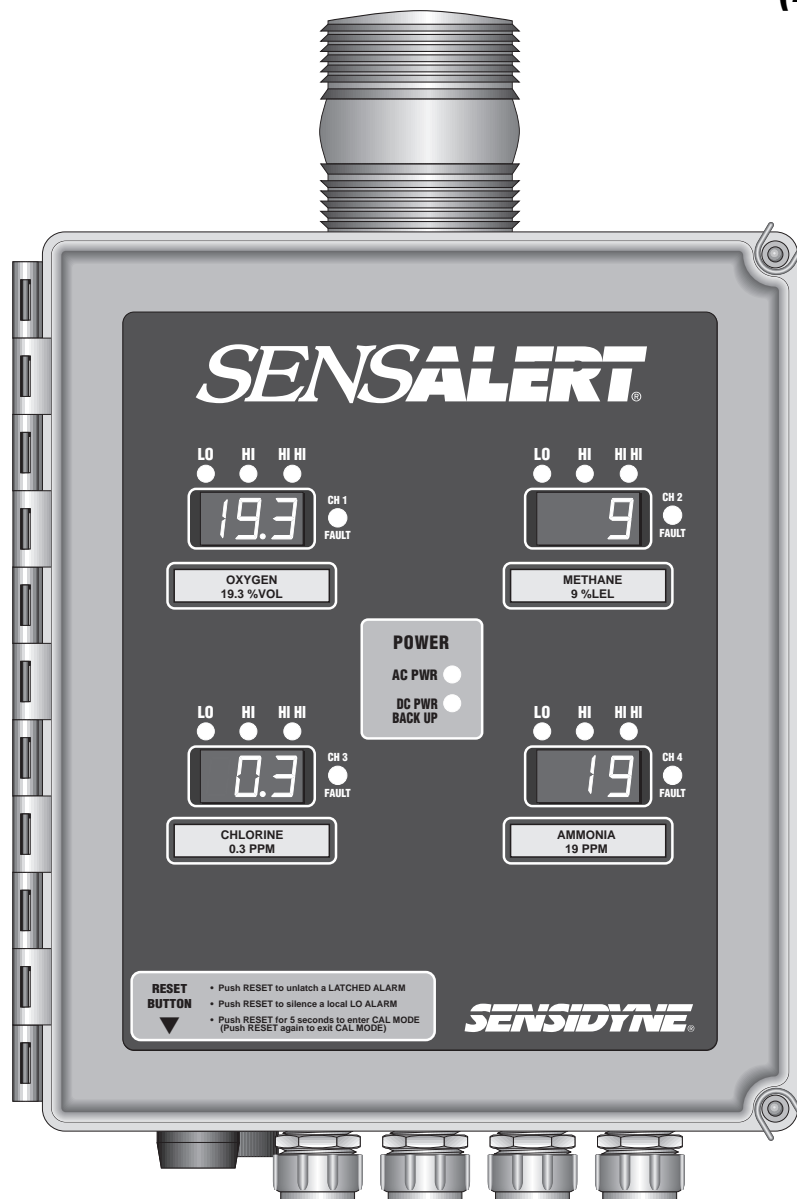


SENSALERT[®]

FOUR CHANNEL CONTROLLER

WITH STROBE

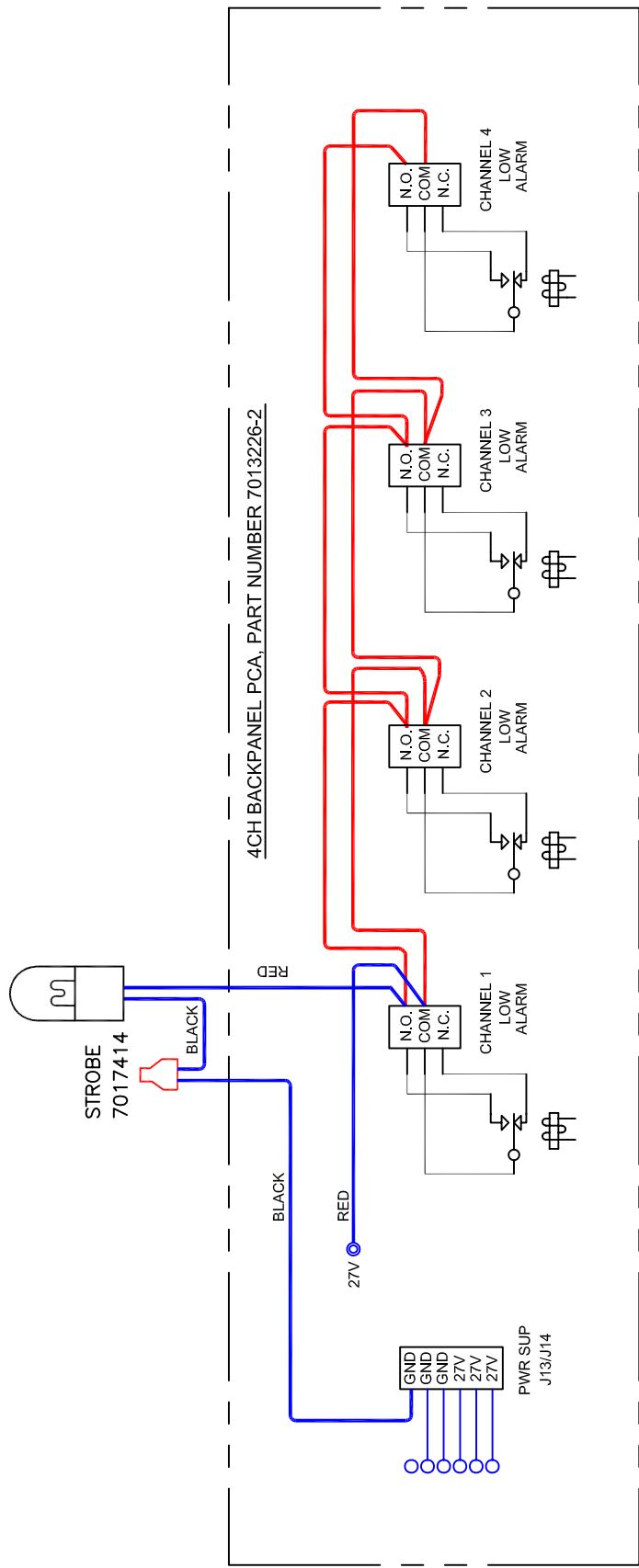
Document No. 360-0055-01
(Revision B)



SENSIDYNE[®]

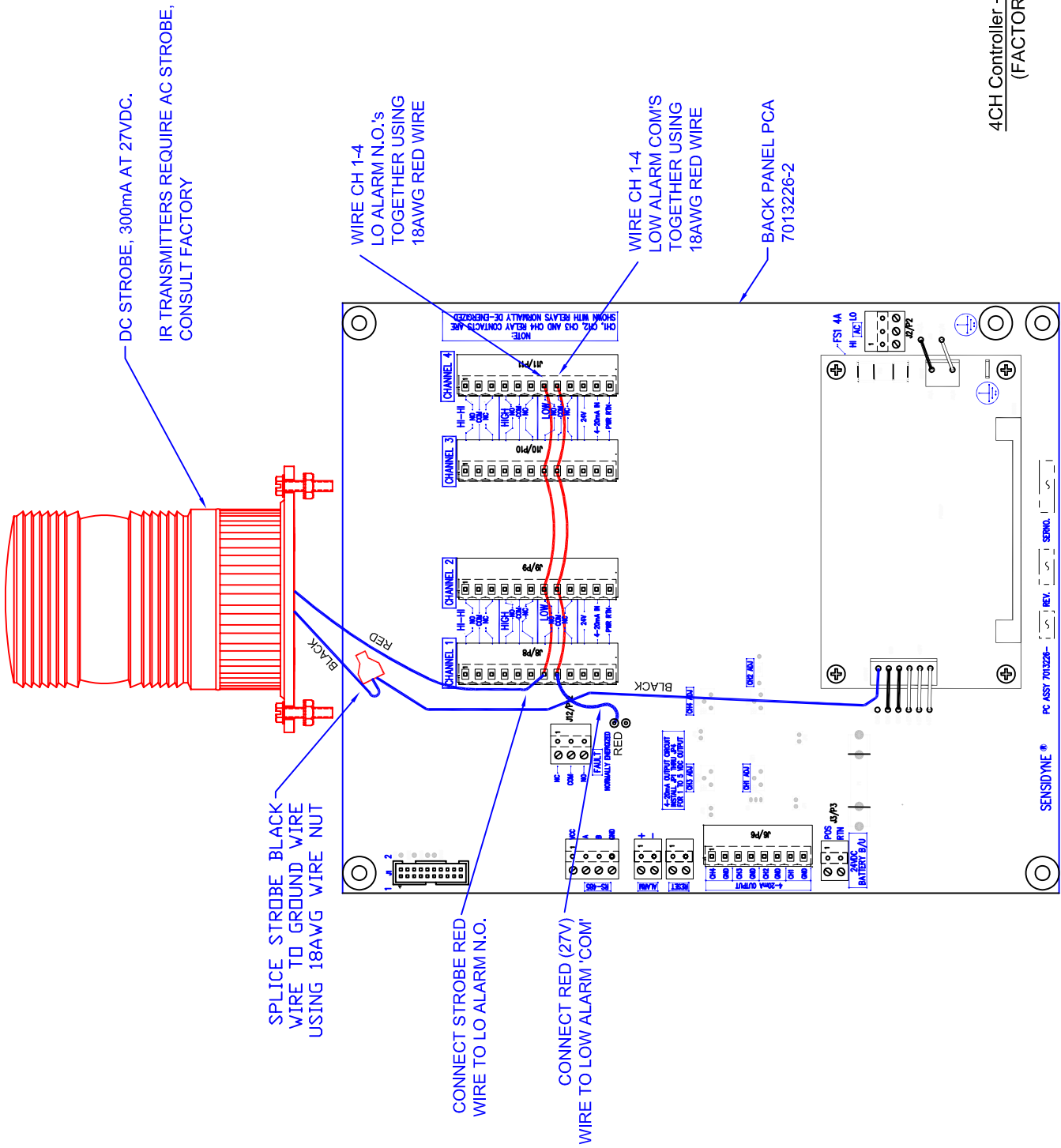
Sensidyne, LP • 16333 Bay Vista Drive
Clearwater, Florida 33760 USA

(800) 451-9444 • (727) 530-3602 • Fax: (727) 539-0550
web: www.sensidyne.com • e-mail: info@sensidyne.com



HI-HI, HI, AND LO ALARM ENERGY STATES ARE SOFTWARE SELECTABLE, CONTACTS ARE LABELLED FOR NORMALLY DE-ENERGIZED STATE.

NOTE: IF RELAY STATE IS SELECTED AS NORMALLY ENERGIZED, WIRE TO CONTACTS LABELLED 'NC'



4CH Controller - Wiring for DC Strobe
(FACTORY INSTALLED)