

Class I, Division 1 or 2 Area

Non-hazardous Area

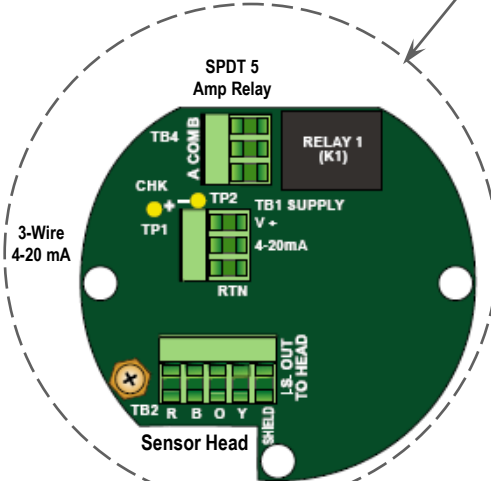
Gas Sensors Are FM Certified Intrinsically Safe For "Hot Swap And Shop Calibration"

Up To Four (4)
3-Wire 4-20
mA, Inputs

AC or 24 VDC Power
UPS Recommended

Four (4) 4-20 mA,
3-Wire Outputs
RS 485 Modbus
And Alarm Contacts

Transmitter Wiring Detail (All)



SENSIDYNE, LP

Any County
Pump Station Dry Well

Approvals

SCALE	SIZE	DWG. NO
None	B	Sales Proposal

Do Not Scale Drawing SGP