

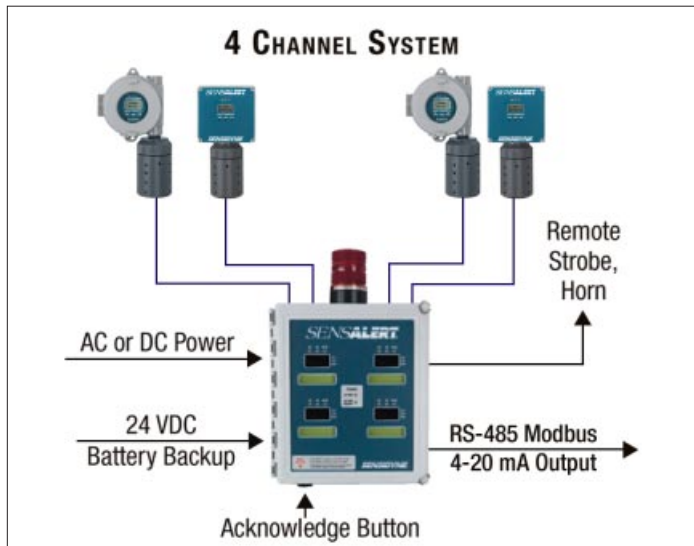
# SENSALERT®

## FOUR CHANNEL CONTROLLER

- NEMA 4X, UL Listed Enclosure
- 115/230 VAC or 24 VDC
- Visual and Audible Annunciation
- Discrete LED and LCD Displays
- Automatic Sensor Recognition
- Twelve SPDT 5 amp Alarm Relays
- Common Fault Alarm Relay
- 4-20 mA & RS-485 Outputs



Four Channel with Strobe shown (PN° 7013227-2)



### Typical Industries and Uses

- |                           |                            |
|---------------------------|----------------------------|
| Manufacturing             | Hazardous Material Storage |
| Pharmaceutical            | Semiconductor Fabrication  |
| Methane Remediation       | Natural Gas Processing     |
| Hydrocarbon Pipelines     | Float Glass Making         |
| Transportation Garages    | Plating Processes          |
| Water & Waste Treatment   | HVAC Industry              |
| Petrochemical (Plastics)  | Utility Rooms              |
| Specialty Gas Bottling    | Solvent Recovery           |
| Annealing Processes       | Air Separation Plants      |
| Chlor-Alkali Plants       | Coatings Manufacturing     |
| Fertilizer Plants         | NGL Facilities & Pipelines |
| Ferrous Metals            | Coke Oven Batteries        |
| Non-Ferrous Smelting      | Specialty Chemicals        |
| Poultry & Meat Processing | Ore Processing             |
| Precious Metals Mining    | Beverage Plants            |
| Petroleum Refining        | Cold Storage Facilities    |
| Battery Rooms             | Fruit & Vegetable Storage  |
| Electricity Generation    | Textile Dyes & Chemicals   |

# SensAlert® Four Channel Controller

## PRODUCT SPECIFICATIONS

### ENCLOSURE

Material ..... Fiberglass.  
 Description ..... UL listed, NEMA 4X Rated.  
 Type ..... Wall mount with tabs & threaded inserts.  
 Overall Size ..... 11.2 (W) by 12.8 (H) by 6.3 (D) Inches,  
 28.4 (W) by 32.5 (H) by 16.0 (D) cm.  
 Weight ..... 10.0 lbs. (4.5 Kg)  
 Conduit ..... 3/4 inch EMT connector supplied (side).  
 Temperature ..... 0° to 122°F (-18° to 50°C).  
 Humidity ..... 5-95 %RH, non-condensing.  
 Service ..... Indoor or Outdoor Locations.

### DISPLAYS & CONTROLS

LCD Display ..... Alphanumeric (Value, Gas, & Units).  
 LED Display ..... 3 Digit x 1.5 Inch Red LED (Value).  
 Indicators ..... Power LED, Alarm LEDs (Fail, Low, Hi, Hi Hi), Zero, Program, and Span LEDs.  
 Controls ..... Pushbutton programming for all variables with security protocol. Reset button for alarms and calibration mode (inhibits alarms).

### SENSORS

Configuration ..... Diffusion, Sampling, or Duct Mount.  
 Specifications ..... See individual sensor data sheets.  
 Types ..... All Oxygen, Toxic, & Combustible SensAlert sensors. SensAlarm has automatic sensor recognition and system configuration for whatever sensor type that is plugged into it.  
 Calibration ..... Known zero and span gases should be applied to sensor at regular intervals to functionally test and calibrate all system components.  
 Accessories ..... Many application accessories for remote sensors, duct mount, and aspirated sample draw are offered. Consult factory if item is not listed.  
 Materials ..... Sensor retaining ring, splashguard, and most other accessories are made of PVC or Delrin®.

### ELECTRICAL

Design ..... Microprocessor based with integral nonvolatile memory. Automatic resume on power failure.  
 Power ..... 85-264 VAC, 50/60 Hz or 24 VDC.  
 Outputs ..... Non-isolated 4-20 mA (750 ohm load), RS-485, Modbus RTU Protocol, two or four wire operation.  
 Strobe ..... Red lens flashing strobe (NEMA 4X).  
 Horn ..... 110 dB warbling horn (configurable).  
 Alarm Relays ..... SPDT, 6 Amps @ 115VAC or 24VDC, User accessible SPDT Fault, Low & High Alarm Relays. Additional relays for Strobe & Sounder. *Note: Alarm values stored in non-volatile memory.*  
 Diagnostics ..... Weak, Missing or non-functional Sensor, Calibration zero or span failure.  
 Warranty ..... One year from start-up date or 18 months from date of shipment, whichever comes first.

## SAMPLE A & E SPECIFICATION

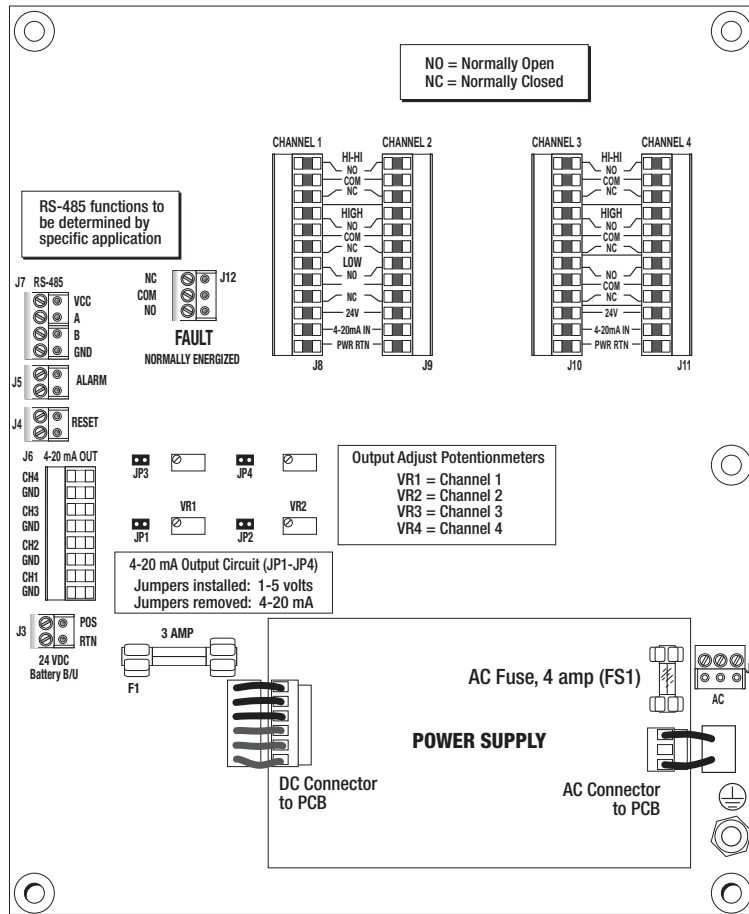
Contractor shall supply and install a single point gas monitoring and alarming system in a NEMA 4X, UL listed enclosure for (specify gas) to be mounted outside the (specify area). The system shall have integral relays, a strobe and horn for local alarming purposes, plus a failure alarm relay contact. Local LEDs (3) shall provide alarm status. Plug-in sensors for Oxygen and all common toxic and combustible gases shall be interchangeable without any reprogramming of the system.

The unit will display the monitored gas value on a 1.5 inch minimum height, ultra-bright, 3 digit LED display, and also have a separate display for the gas name and engineering units. 4-20 mA and RS-485 (Modbus protocol) outputs will be provided.

The sensor shall be temperature compensated and intelligent to minimize drift and maintenance intervals, and will be mounted in the (floor, breathing, or ceiling) zone. The contractor will provide a one year supply of spare parts, calibration gas and kit, system start-up and training of owners' personnel.

## ORDERING INFORMATION

Description	Part Number
<b>Four Channel Controller</b> .....	7013227-1
<b>Four Channel Controller w/ Strobe</b> .....	7013227-2
Calibration Cup .....	7011668-1
<b>Sensor Accessories</b>	
Wiring, conduit, and piping requirements are by others. Accessories are constructed of PVC or Delrin®	
Mounted Strobe Light .....	7013227-1
I.S. Barrier .....	7013263
I.S. Barrier Enclosure .....	7013283
<b>SensAlert Sensors†</b>	
Ammonia (0-100 ppm) .....	011242-D-1
Carbon Monoxide (0-100 ppm) .....	191333-D-1
Chlorine (0-10 ppm) .....	021232-D-1
Combustible Gases .....	111250-D-1
Ethylene Oxide (0-10 ppm) .....	452132-D-1
Hydrogen (0-1000 ppm) .....	101332-D-1
Hydrogen Chloride (0-20 ppm) .....	083142-D-1
Hydrogen Cyanide (0-20 ppm) .....	031232-D-1
Hydrogen Fluoride (0-10 ppm) .....	071142-D-1
Hydrogen Sulfide (0-100 ppm) .....	062232-D-2
LEL, Catalytic (0-100%) .....	111250-D-1
Nitrogen Dioxide (0-10 ppm) .....	211232-D-1
Oxygen (0-25 %vol) .....	403162-D-1
Sulfur Dioxide (0-20 ppm) .....	182132-D-1
† Many other gases and ranges are available.	



**SENSIDYNE**  
 Protecting People, Plants, and Products. . . Everyday

16333 Bay Vista Dr. • Clearwater, Florida 33760 USA  
 (800) 451-9444 • (727) 530-3602 • Fax: (727) 532-9236  
 www.sensidyne.com • E-mail: info@sensidyne.com



Sensidyne products are third party approved to many different international codes and standards. Please consult individual product bulletins for approval listing.